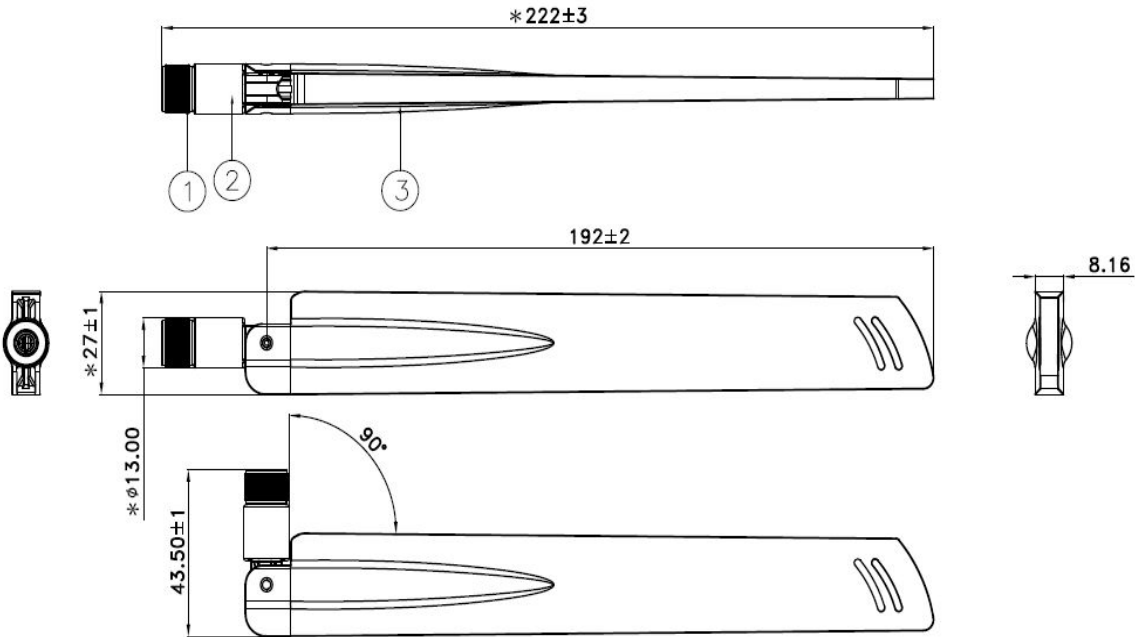


4G/LTE Antenna

Part Number: VT4GLTE-R-2



1.Dimension (Unit: mm)



2. Electrical Characteristics

Form 1

No.	Item	Specifications
1	Frequency (MHz)	700~960MHz 1710~2700MHz
2	V.S.W.R (in BW)	≤2.0
3	Gain (Zenith)	0.5±0.5dBi@700~960MHz 2.0±0.7dBi@1710~2700MHz
4	Polarization	Linear
5	Impedance	50 Ω

3. Mechanical

Form 2

No.	Item	Specification
1	Cable	—
2	Connector	SMA Male
3	Plastic Housing	Black
4	Size	222*27mm

