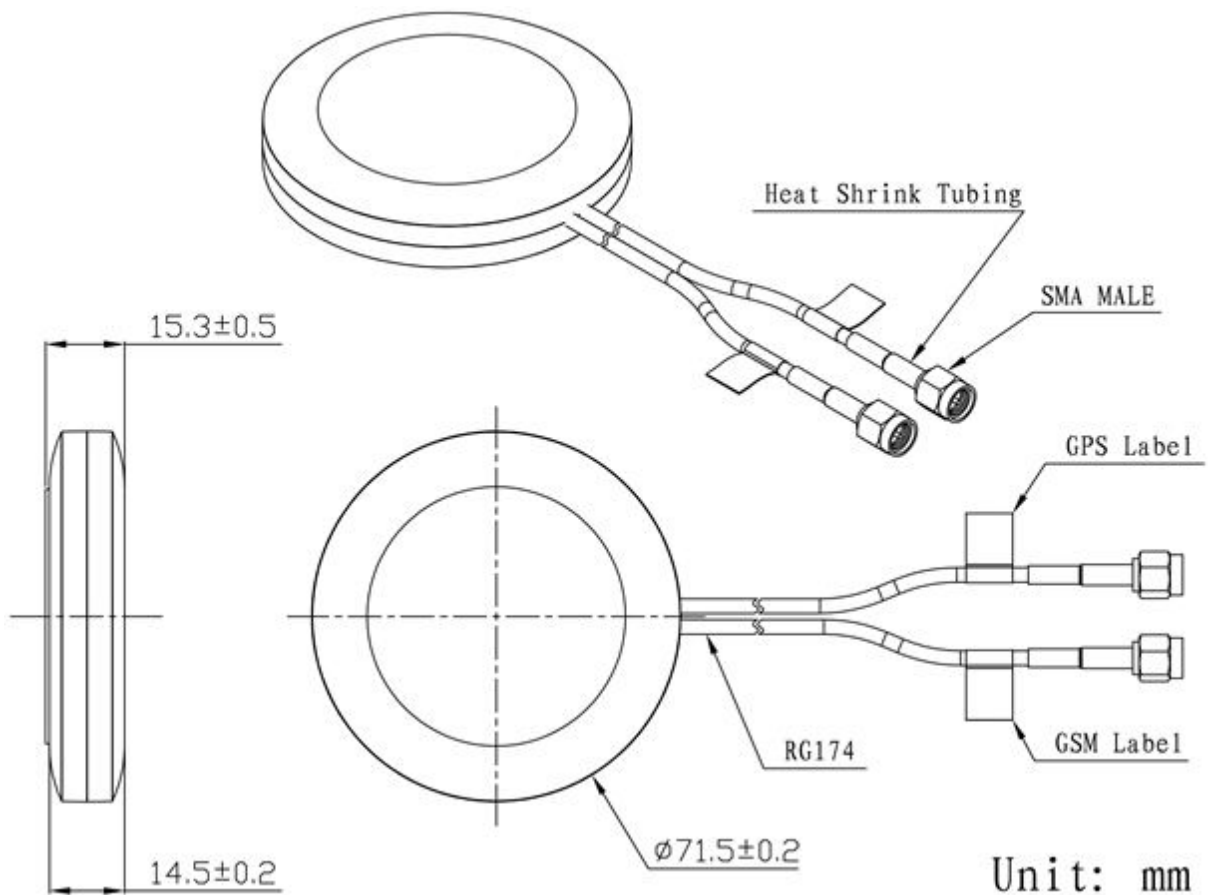


**V.TORCH**

# GPS/GLONASS+GSM/3G Combination Antenna VTGLMA-1



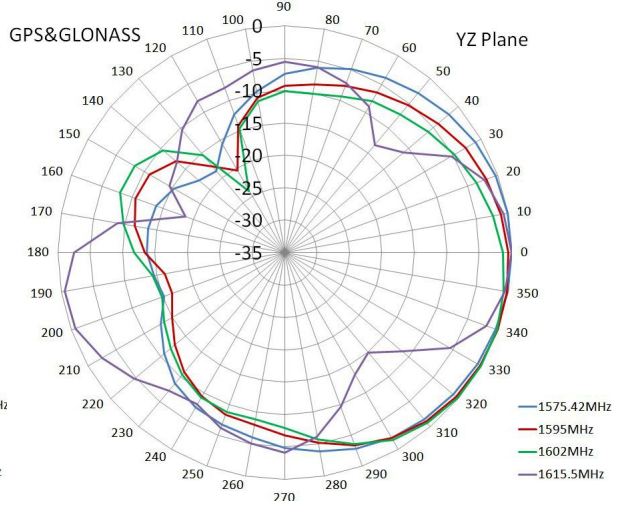
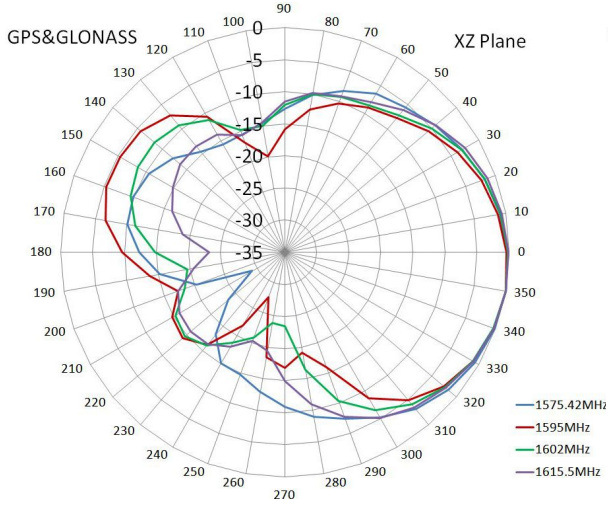
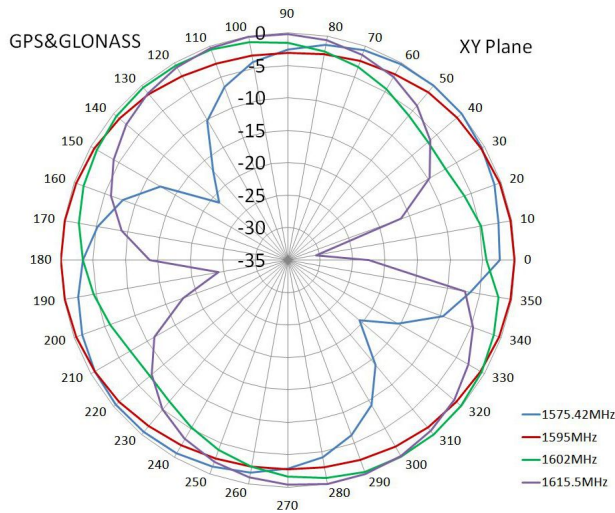
## DIMENSIONS



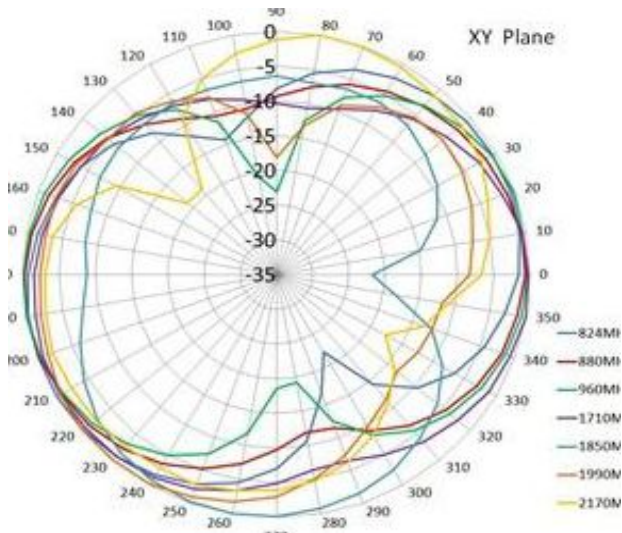
## SPECIFICATIONS

| Item                   |                          | Specifications                         |                               |
|------------------------|--------------------------|--|-------------------------------|
| GPS/GLONASS<br>Antenna | Dielectric<br>Antenna    | Center Frequency                       | L1:1575.42±1MHz L2: 1602±1MHz |
|                        |                          | Band Width                             | CF±5MHz                       |
|                        |                          | Polarization                           | RHCP                          |
|                        |                          | Gain                                   | 2dBic (Zenith)                |
|                        |                          | V.S.W.R                                | <1.5                          |
|                        |                          | Impedance                              | 50Ω                           |
|                        |                          | Axial Ratio                            | 3dB (max)                     |
|                        | LNA                      | Gain                                   | 28±2dB                        |
|                        |                          | Noise Figure                           | <1.5                          |
|                        |                          | Ex-band Attenuation                    | 12dB@CF+50MHz/16dB@CF-50MHz   |
|                        |                          | V.S.W.R                                | <2.0                          |
|                        |                          | Supply Voltage                         | 2.2~5V DC                     |
|                        |                          | Current Consumption                    | 5~15mA                        |
|                        |                          | GSM /3G Antenna                        | Frequency Range               |
| V.S.W.R (min)          | <2.5                     |  |                               |
| Polarization           | Linear                   |  |                               |
| Gain                   | 2dBi                     |  |                               |
| Impedance              | 50Ω                      |  |                               |
| Mechanical             | Cable                    | RG174                                  |                               |
|                        | Connector                | SMA/FME                                |                               |
|                        | Radome Material          | ABS                                    |                               |
|                        | Mounting Method          | Adhesive//Magnet                       |                               |
| Environmental          | Operating Temperature    | -40℃~+85℃                              |                               |
|                        | Relative Humidity        | Up to 95%                              |                               |
|                        | Ingress Protection       | IP66                                   |                               |
|                        | Vibration                | 10 to 55Hz with 1.5mm amplitude 2hours |                               |
|                        | Environmentally Friendly | ROHS Compliant                         |                               |

## Radiation Pattern



## GSM/3G Antenna



# V.TORCH

