

## Multi-band Antenna

### VTLTE-MBA-1



#### 1.Dimension (Unit: mm)

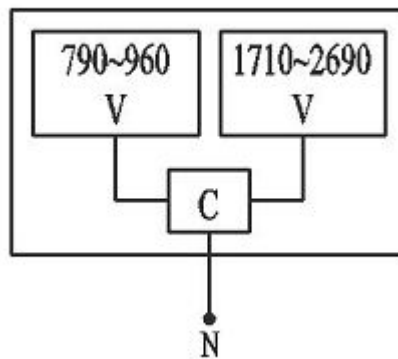
#### 2.Electrical Characteristic

No	Item	Specifications		
1	Frequency (MHz)	790~960	1710~2200	2200~2600
2	Gain-dBi	9	11.5	11.5
3	Electrical Downtilt(°)	0		
4	V.S.W.R (in BW )	≤1.5		
5	Front-to-back ratio	≥20	≥23	
6	Half-power beam width(°)	Horizontal:65 Vertical:52	Horizontal:68 Vertical:33	Horizontal:63 Vertical:28
7	Impedance	50 Ω		
8	Sidelobe suppression for first Sidelobe above main beam(dB)	N/A		
9	Maximum power(w)	400	200	

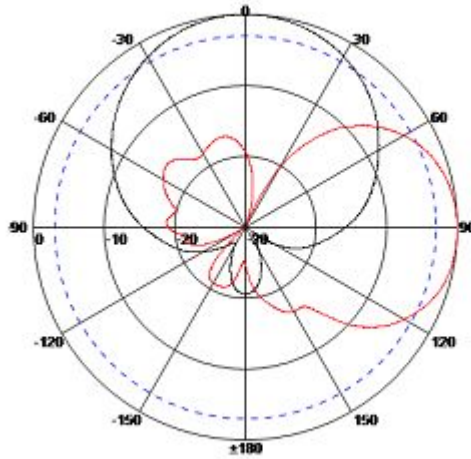
10	Polarization	Vertical	
11	Lighting protection	DC Ground	

### 3. Mechanical

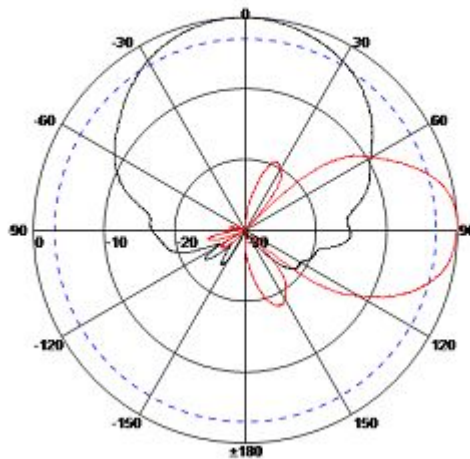
No.	Item	Specification
1	Cable	---
2	Connector	N female
3	Connector position	Bottom
4	Size	580×280×85mm
5	Packing size	730×360×180
6	Radome material	UPVC
7	Radome color	Gray
8	Mechanical tilt(°)	0~10
9	Operation temperature-°C	-40~60
10	Rated wind velocity(m/s)	60
11	Supporting Pole Diameter	50~75
12	Mounting Kit	JM-VA



**790~960MHz: V Pol.**



**1710~2200MHz: V Pol.**



**2200~2690MHz: V Pol.**

