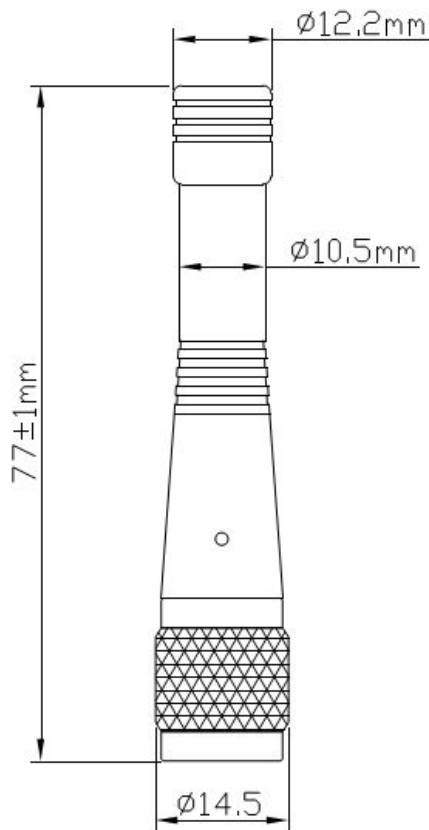


Rubber Antenna

Part Number: VT868-16



1.Dimension (Unit: mm)



V.TORCH

2. Electrical Characteristics

Form 1

No.	Item	Specifications	Post Environmental Tolerance
1	Frequency (MHz)	855-880MHz	±3 MHz
2	V.S.W.R (in BW)	≤1 : 2.0	—
3	Gain (Zenith)	2.15dBi	±0.5 dB
4	Polarization	Vertical	—
5	Impedance	50 Ω	—
6	Max Power	50W	
7	Radiation	All Directional	
8	Lightning Protection:	DC Grounding	
9.	Temp	-20°~85°	

3. Mechanical

Form 2

No.	Item	Specification
1	Cable	—
2	Connector	TNC
3	Plastic Housing	Black
3	Height	77mm
4	Max diameter	14.5mm
5	Min diameter	10.5mm

