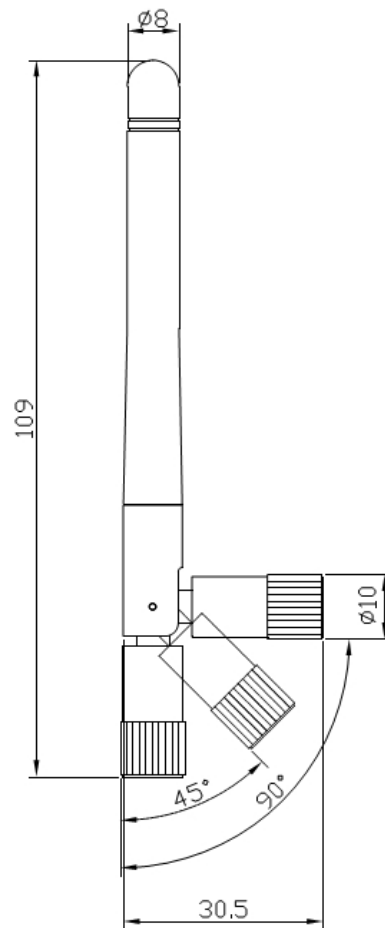


433MHz Antenna

Part Number: VT433-17



1 Dimension (Unit: mm)



V.TORCH

2. Electrical Characteristics

No.	Item	Specifications
1	Frequency (MHz)	433mhz
2	V.S.W.R	< 1:1.6
3	Gain (Zenith)	2.5dBi
4	Impedance	50 Ω
4	Polarization	Vertical
5	Max Power	20W

3.2 Mechanical

Form 2

No.	Item	Specification
1	Connector	SMA
2	Plastic Housing	Black
3	Height	109mm
4	Max diameter	10mm
5	Min diameter	8mm

