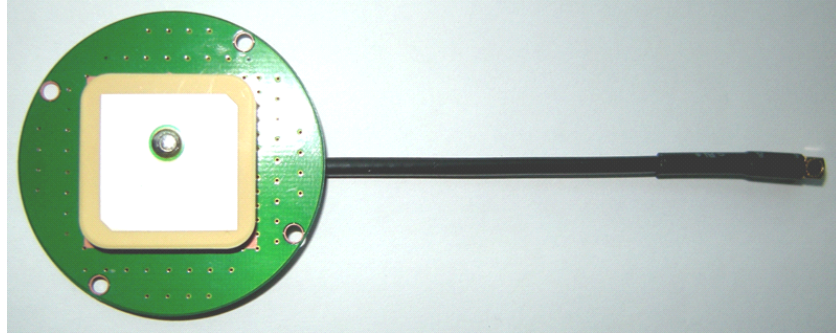
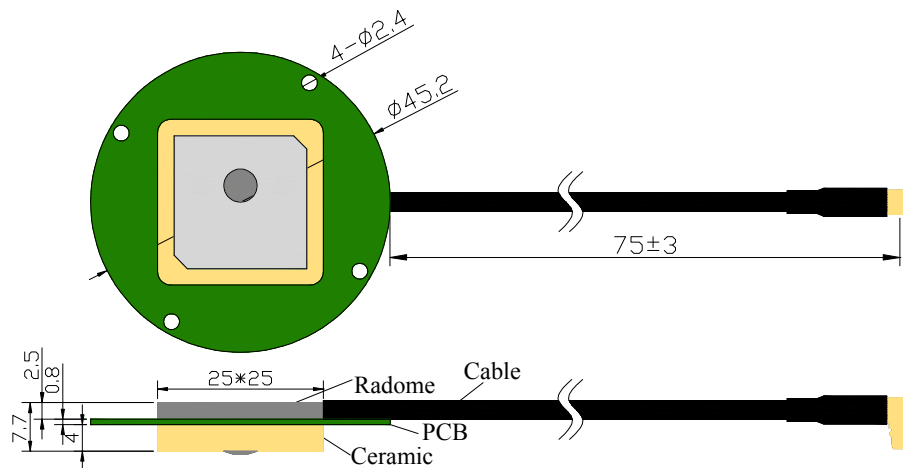


## GPS Internal Passive Antenna

Part Number: VTGPSIP-13



### 1. Dimension (Unit: mm)



### 2 Electrical Characteristics

#### 2.1 Dielectric Antenna

Form 1

No.	Item	Specifications	Post Environmental Tolerance
1	Center Frequency (MHz)	1575.42 MHz	±3 MHz
2	Band Width (MHz)	±5 MHz	±1 MHz
3	V.S.W.R (in BW)	1.5 : 1	—
4	Gain (Zenith)	0 dB	±0.5 dB
5	Polarization	RHCP	—

6	Impedance	50 $\Omega$	—
---	-----------	-------------	---

## 2.2 Mechanical

### Form 2

No.	Item	Specification
1	Cable	RG174 75mm
2	Connector	MMCX
3	Mounting	Internal

## 3 Reliability

Condition: Temperature:  $40\pm 5^{\circ}\text{C}$

Load: DC=5V $\pm 0.5$  V

Quantity: 2000pcs

Sustained Time: 480h

## 4 Environmental Specifications

Post Environmental Tolerance (Refer to the form 1~2 )

Condition: Temperature range  $25\pm 3^{\circ}\text{C}$

Relative Humidity range 55~75%RH

Operating Temperature range  $-40^{\circ}\text{C}\sim +85^{\circ}\text{C}$

Storage Temperature range  $-40^{\circ}\text{C}\sim +100^{\circ}\text{C}$

### 4.1 Moisture Proof

The device should satisfy the electrical characteristics specified in form 1~2 after exposed to the temperature  $40\pm 2^{\circ}\text{C}$  and the relative humidity 90~95% RH for 96 hours and 1~2 hours recovery time under normal condition.

### 4.2 Vibration Resist

The device should satisfy the electrical characteristics specified in form 1~2 after applied to the vibration of 10 to 55Hz with amplitude of 1.5mm for 2 hours each in X , Y and Z directions.

### 4.3 Drop Shock

The device should satisfy the electrical characteristics specified in form 1~2 after dropping onto the hard wooden board from the height of 30cm for 3 times each facet of the 3 dimensions of the device.

### 4.4 High Temperature Endurance

The device should satisfy the electrical characteristics specified in form 1~2 after exposed to temperature  $80\pm 5^{\circ}\text{C}$  for  $24\pm 2$  hours and 1~2 hours recovery time under normal temperature.

### 4.5 Low Temperature Endurance

The device should also satisfy the electrical characteristics specified in form 1~2 after exposed to the temperature  $-40^{\circ}\text{C}\pm 5^{\circ}\text{C}$  for  $24\pm 2$  hours and to 2 hours recovery time under normal temperature.

### 4.6 Temperature Cycle Test

The device should also satisfy the electrical characteristics specified in form 1~2 after exposed to the low temperature  $-25^{\circ}\text{C}$  and high temperature  $+85^{\circ}\text{C}$  for  $30\pm 2$  min each by 5 cycles and 1 to 2 hours recovery time under normal temperature.