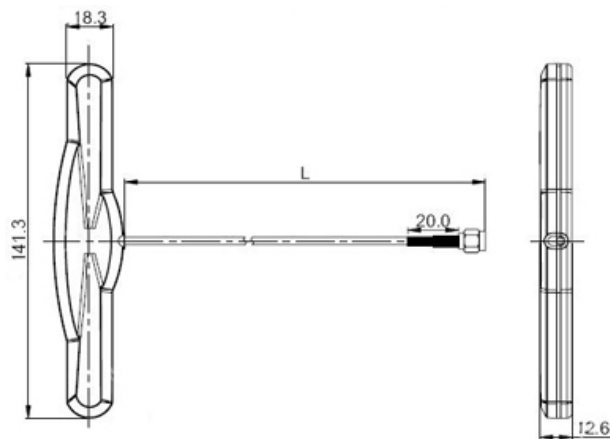


WiFi Antenna

Part Number: VTWFA-18



1 Dimension (Unit: mm)



2 Electrical Characteristics

2.1 WiFi Antenna

Form 1

No.	Item	Specifications
1	Frequency (MHz)	2400~2500 MHz
2	V.S.W.R (in BW)	$\leq 2.0 : 1$
3	Gain (Zenith)	2 dBi
4	Impedance	50 Ω

2.2 Mechanical

Form 2

V.TORCH

No.	Item	Specification
1	Cable	RG 174 3m/5m or others
2	Connector	SMA/MCX or others
3	Plastic Housing	Black
4	Mounting	Adhesive