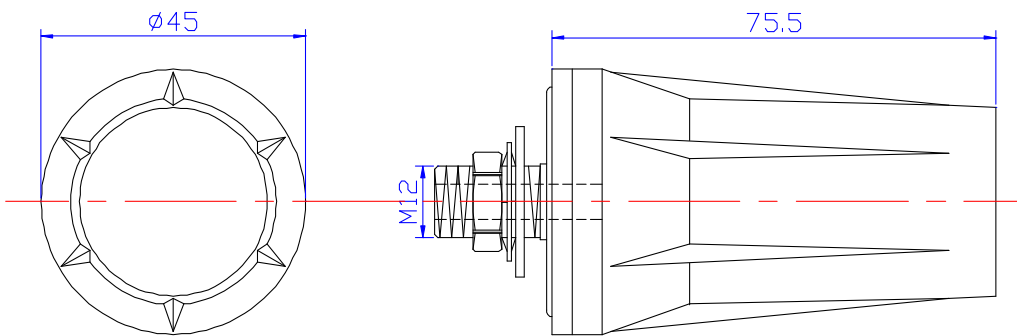


GSM Antenna

Part Number: VTGSMA-11



1 Dimension (Unit: mm)



2 Electrical Characteristics

3.1 GSM Antenna

Form 1

No.	Item	Specifications
1	Frequency (MHz)	824~960 MHz/1710~1990 MHz 1920~2170 MHz
2	V.S.W.R (in BW)	≤2.0 : 1
3	Gain (Zenith)	2 dBi
4	Impedance	50 Ω

3.2 Mechanical

Form 2

No.	Item	Specification
-----	------	---------------

V.TORCH

1	Cable	RG58 3m/5m or others
2	Connector	SMA or others
3	Plastic Housing	Black
4	Mounting	Screw