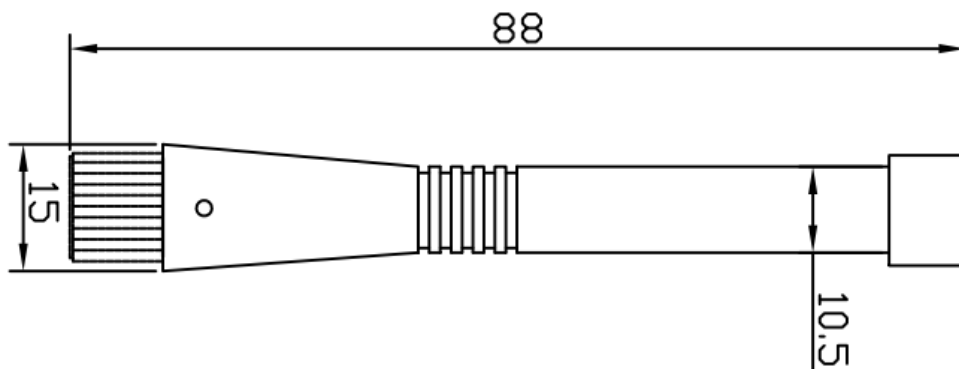


## 433MHz Antenna

Part Number: VT433-4



### 1 Dimension (Unit: mm)



### 2 Electrical Characteristics

Electrical Characteristics	
Working Frequency ( MHz )	433 MHz $\pm$ 20MHz
S.W.R	< 2.0
Impedance	50 ohm ( Nominal )
Gain ( dBi )	3.0 dBi
Polarization	Vertical

# V.TORCH

Admitted Power ( W )	20 W
Physical Characteristics	
Inner Material	Cu
Connector	SMA Male
Antenna size	Ø15*88mm
Weight	23g
Operating Temp.	-40°C ~ +60°C
Storage Temp.	-50°C ~ +70°C

### 3.Test Report

#### 3.1 S Parameter Test

CH1 A/R SWR  
REF 1.000 U

MKR 1: 1.4866 U  
1.000U/ 433 000 000.HZ

